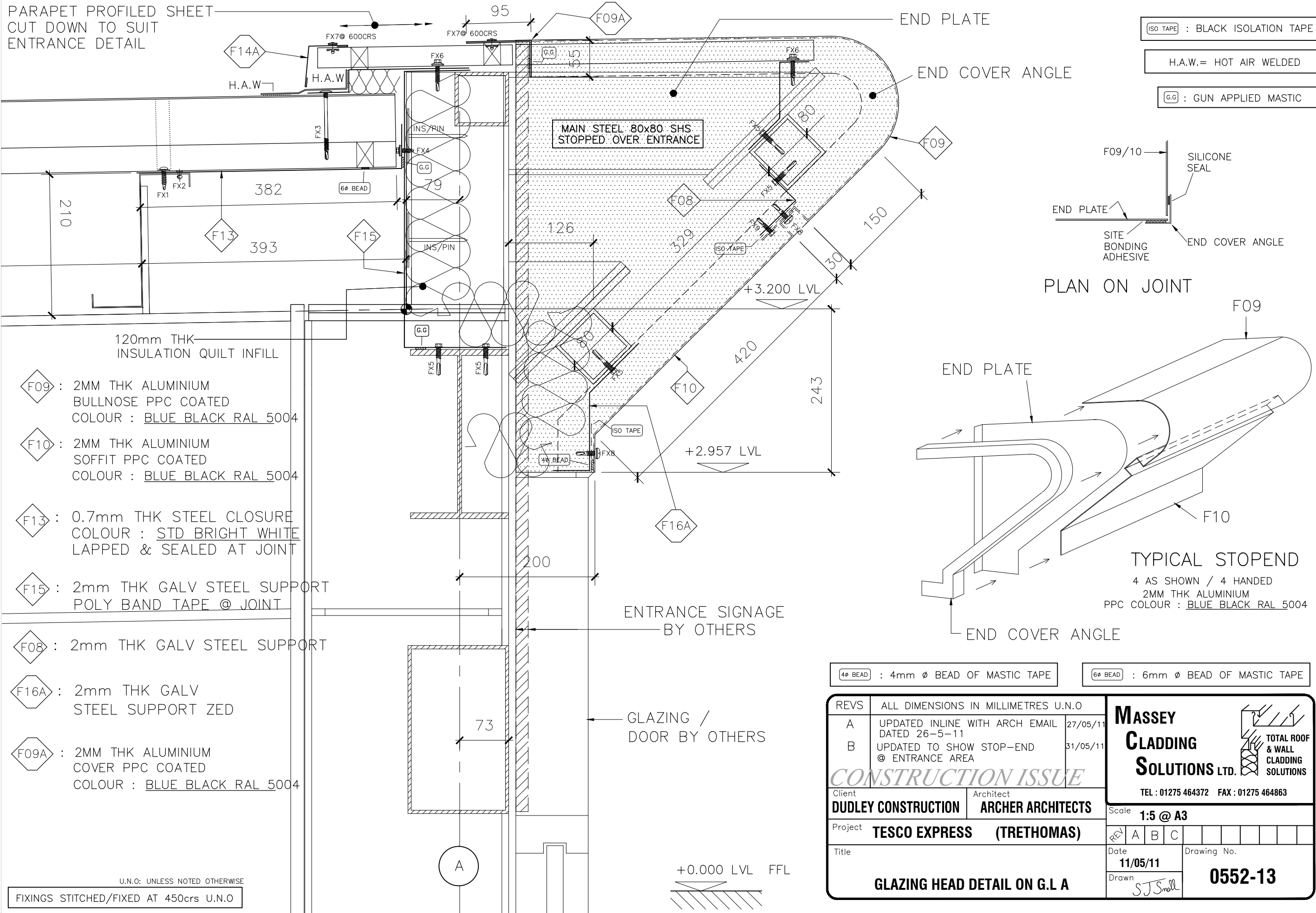
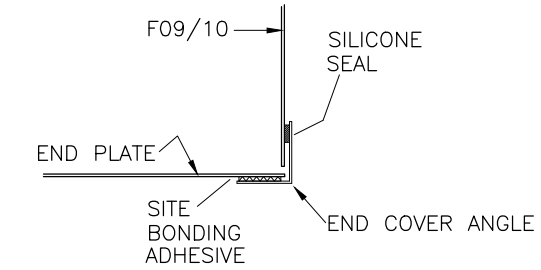


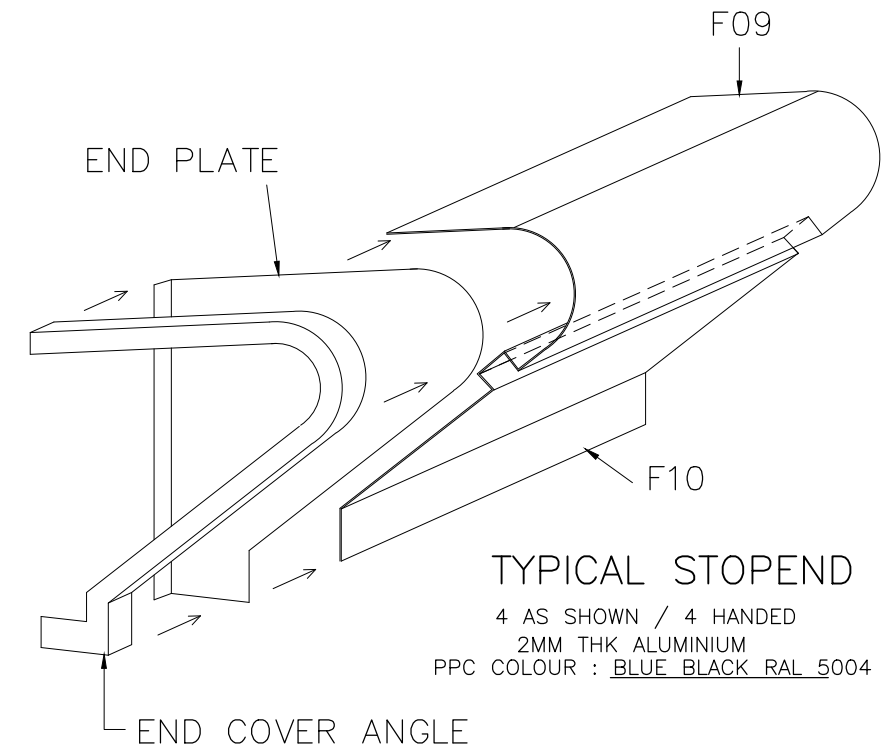
PARAPET PROFILED SHEET
CUT DOWN TO SUIT
ENTRANCE DETAIL



- [ISO TAPE] : BLACK ISOLATION TAPE
- H.A.W.= HOT AIR WELDED
- [G.G] : GUN APPLIED MASTIC



PLAN ON JOINT



TYPICAL STOPEND
4 AS SHOWN / 4 HANDED
2MM THK ALUMINIUM
PPC COLOUR : BLUE BLACK RAL 5004

- F09 : 2MM THK ALUMINIUM
BULLNOSE PPC COATED
COLOUR : BLUE BLACK RAL 5004
- F10 : 2MM THK ALUMINIUM
SOFFIT PPC COATED
COLOUR : BLUE BLACK RAL 5004
- F13 : 0.7mm THK STEEL CLOSURE
COLOUR : STD BRIGHT WHITE
LAPPED & SEALED AT JOINT
- F15 : 2mm THK GALV STEEL SUPPORT
POLY BAND TAPE @ JOINT
- F08 : 2mm THK GALV STEEL SUPPORT
- F16A : 2mm THK GALV
STEEL SUPPORT ZED
- F09A : 2MM THK ALUMINIUM
COVER PPC COATED
COLOUR : BLUE BLACK RAL 5004

U.N.O: UNLESS NOTED OTHERWISE
FIXINGS STITCHED/FIXED AT 450crs U.N.O

- [4φ BEAD] : 4mm φ BEAD OF MASTIC TAPE
- [6φ BEAD] : 6mm φ BEAD OF MASTIC TAPE

REVS	ALL DIMENSIONS IN MILLIMETRES U.N.O		<p>MASSEY CLADDING SOLUTIONS LTD. TOTAL ROOF & WALL CLADDING SOLUTIONS TEL : 01275 464372 FAX : 01275 464863</p>
A	UPDATED INLINE WITH ARCH EMAIL DATED 26-5-11	27/05/11	
B	UPDATED TO SHOW STOP-END @ ENTRANCE AREA	31/05/11	
<p><i>CONSTRUCTION ISSUE</i></p>			
Client DUDLEY CONSTRUCTION		Architect ARCHER ARCHITECTS	Scale 1:5 @ A3
Project TESCO EXPRESS (TRETOMAS)			REV A B C
Title GLAZING HEAD DETAIL ON G.L A			Date 11/05/11
			Drawn <i>SJS</i>
			Drawing No. 0552-13