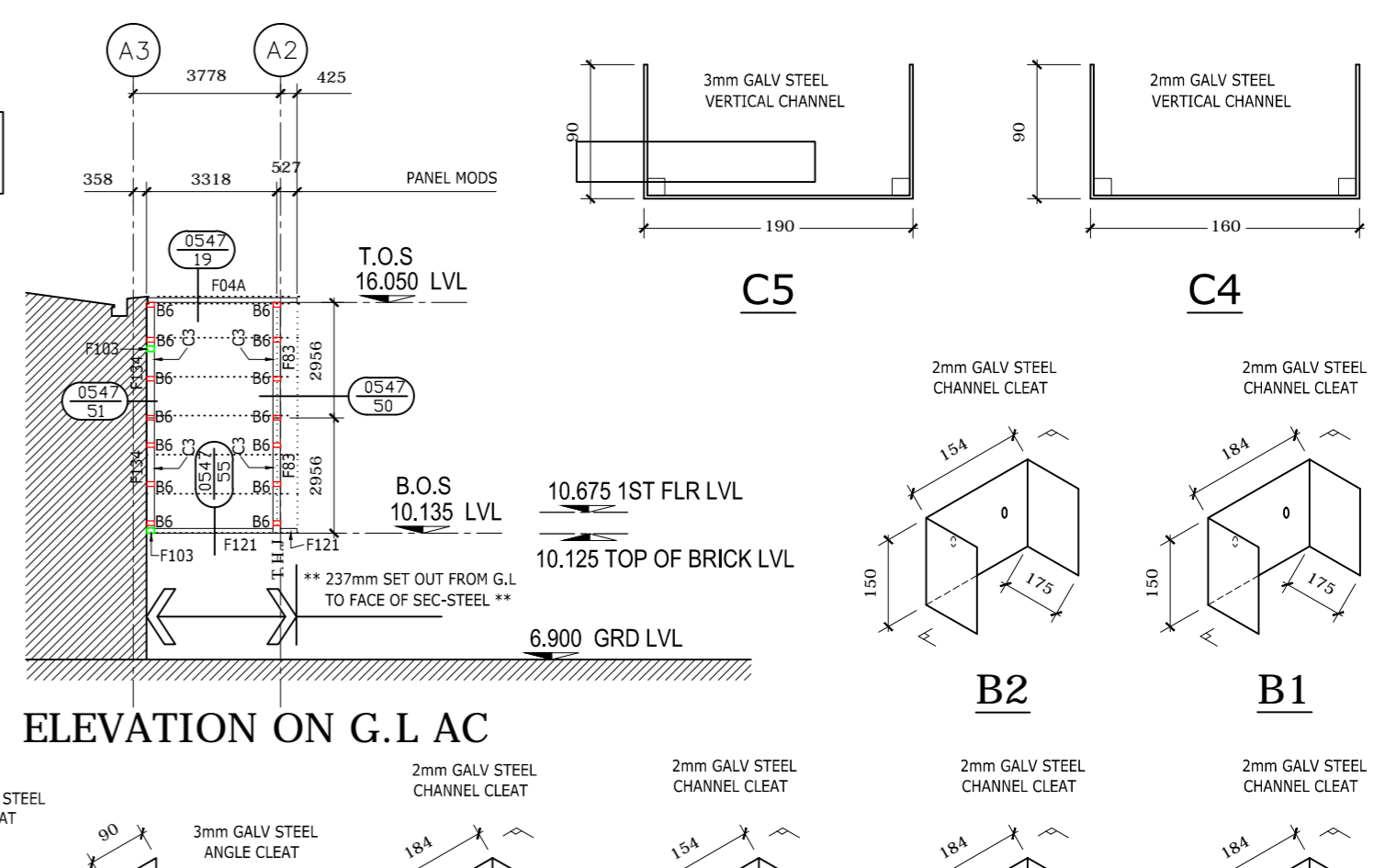
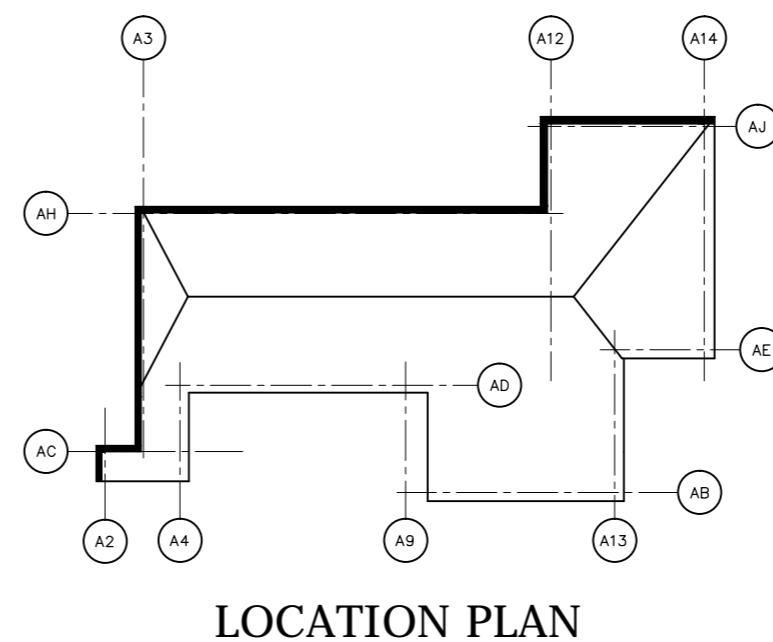
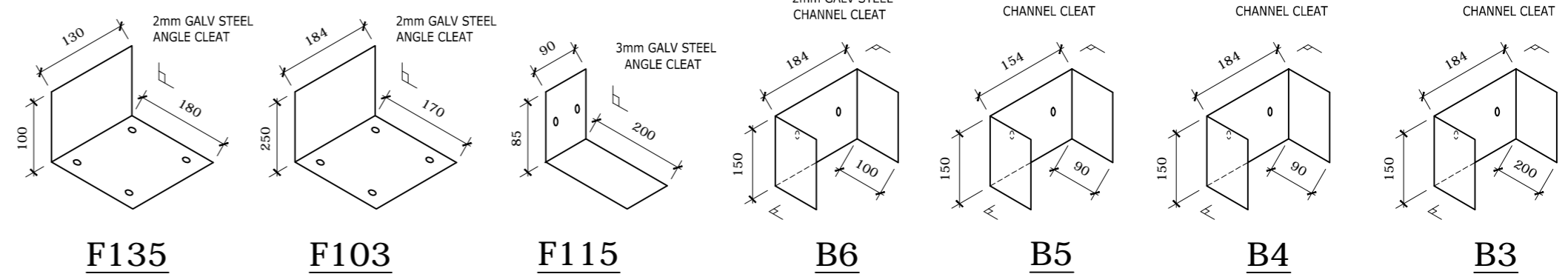
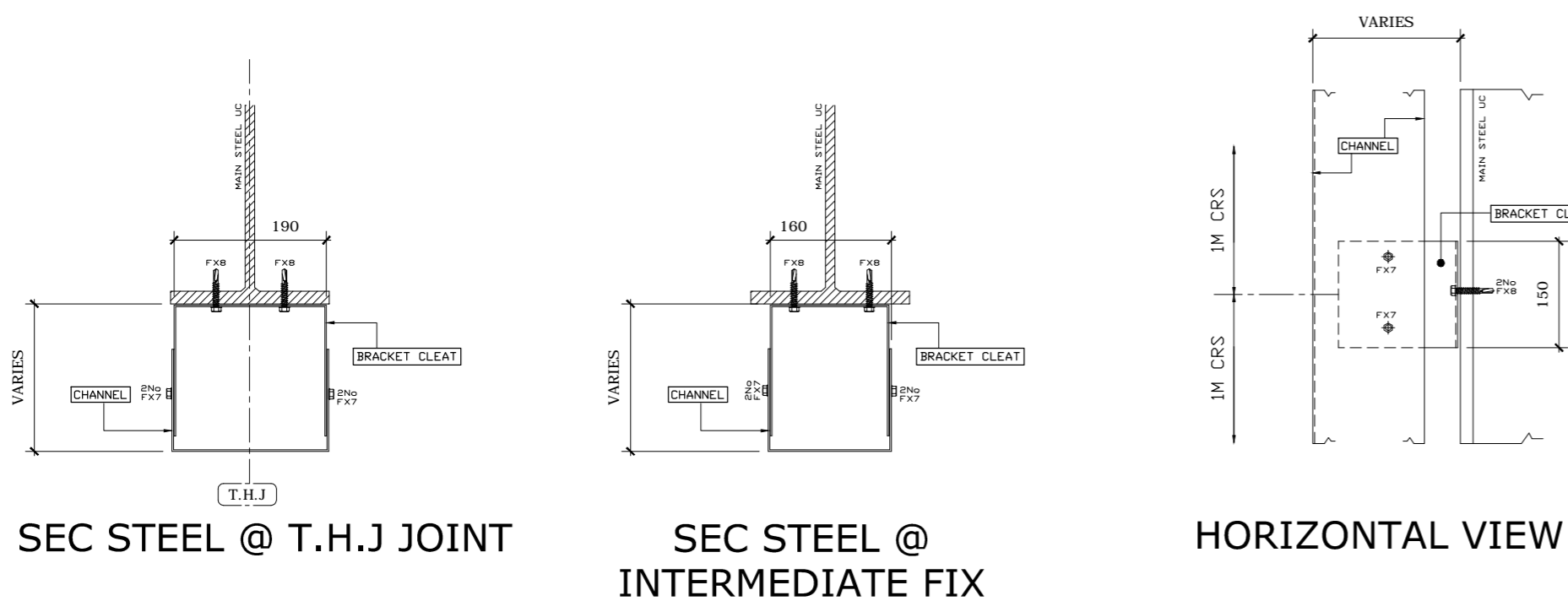


JP = JOINT PLATE
 THJ = TOP HAT JOINT
 T.O.S : TOP OF STEEL
 B.O.S : BOTTOM OF STEEL



NOTE TO FIXER : SEE MCS NOTED DETAILS FOR ALL OTHER FLASHING PROFILES



REVS	ALL DIMENSIONS IN MILLIMETRES U.N.D		MASSEY CLADDING SOLUTIONS LTD. TEL : 01275 464372 FAX : 01275 464863
CONSTRUCTION ISSUE			
Client	BAM	Architect	SCOTT BROWNRIGG
Project	CHILTON TRINITY COLLEGE		Scale: 1:100 @ A1
Title	ZONE A KINGSPAN KS1000FL SEC STEEL ELEVATIONS & DETAILS		Date: 21/02/11 Drawn: SJS
			Drawing No.: 0547-31