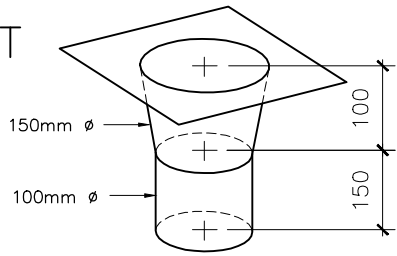
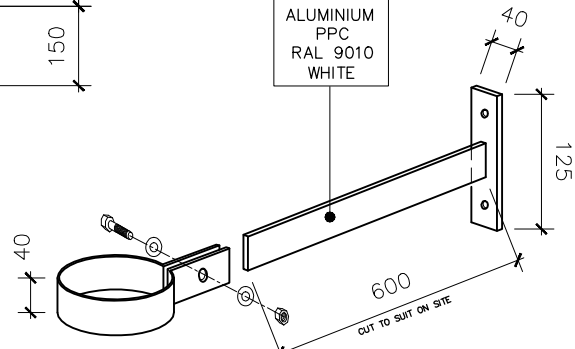


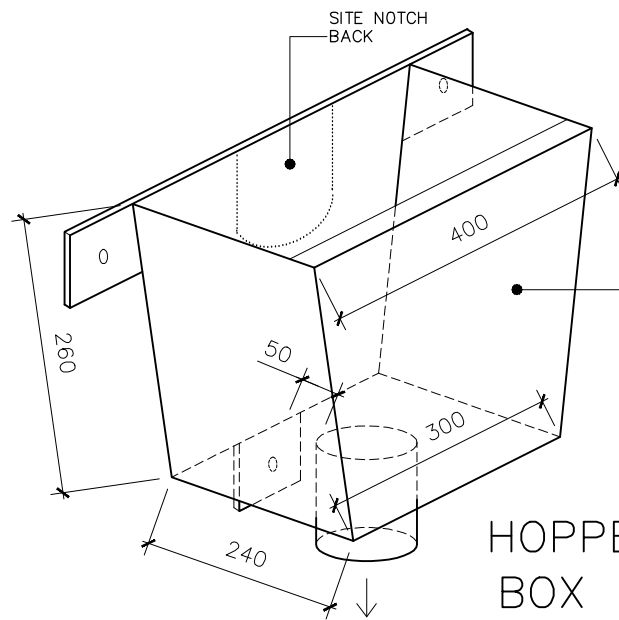
OUTLET



ALUMINIUM  
PPC  
RAL 9010  
WHITE



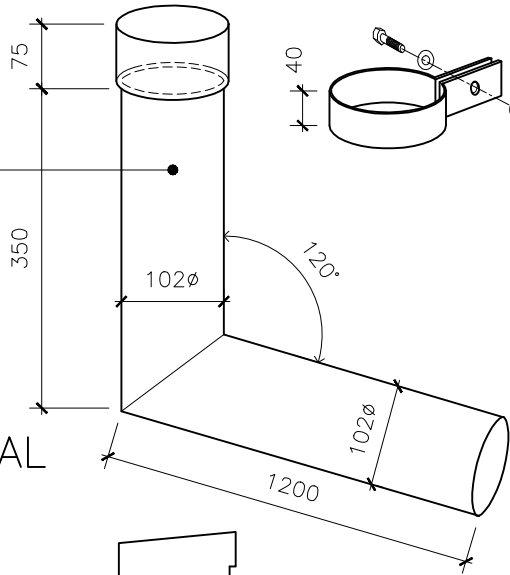
INTERNAL  
BRACKET



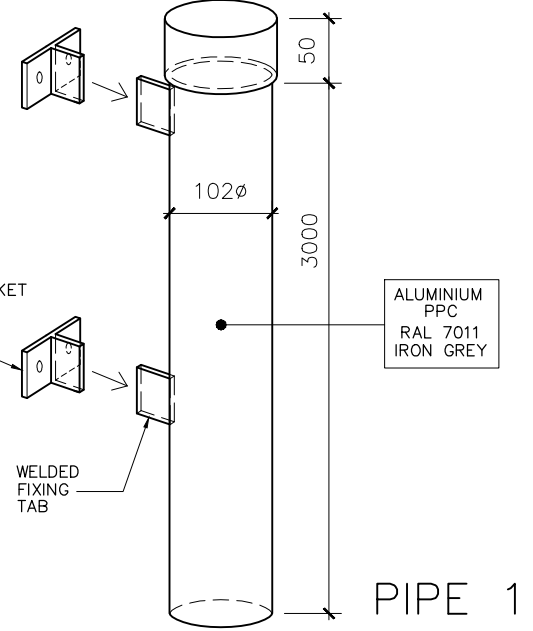
ALUMINIUM  
PPC  
RAL 7011  
IRON GREY

HOPPER  
BOX 1

ALUMINIUM  
PPC  
RAL 9010  
WHITE

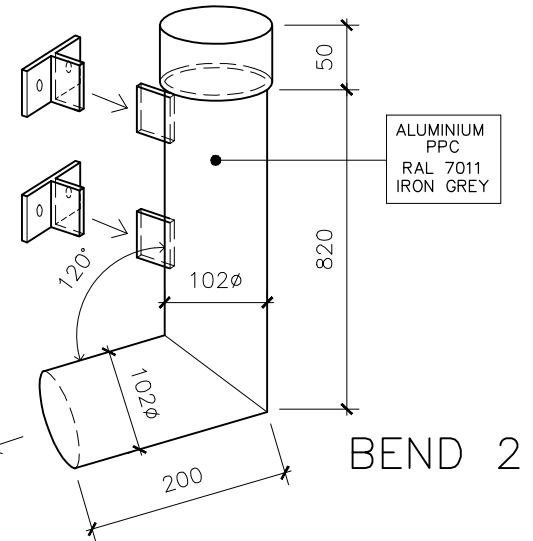


INTERNAL  
BEND



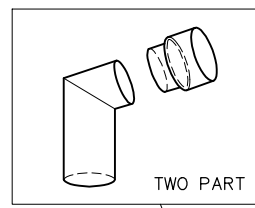
ALUMINIUM  
PPC  
RAL 7011  
IRON GREY

PIPE 1

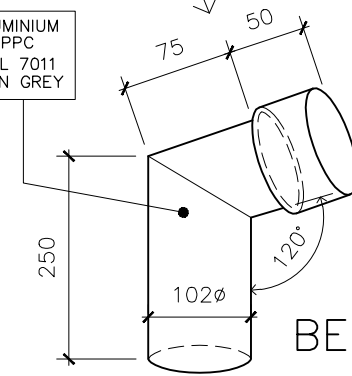


ALUMINIUM  
PPC  
RAL 7011  
IRON GREY

BEND 2

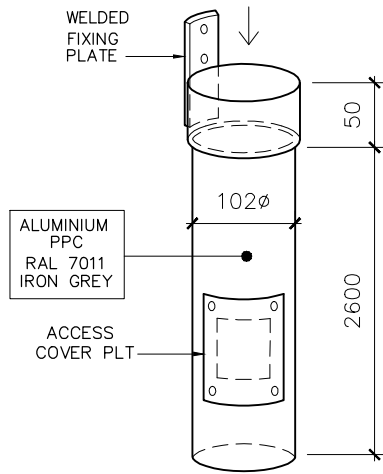


ALUMINIUM  
PPC  
RAL 7011  
IRON GREY



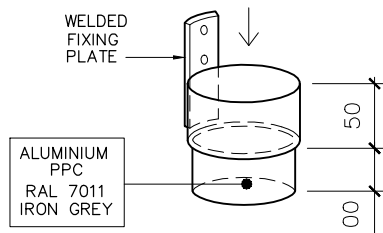
BEND 3

ALUMINIUM  
PPC  
RAL 7011  
IRON GREY

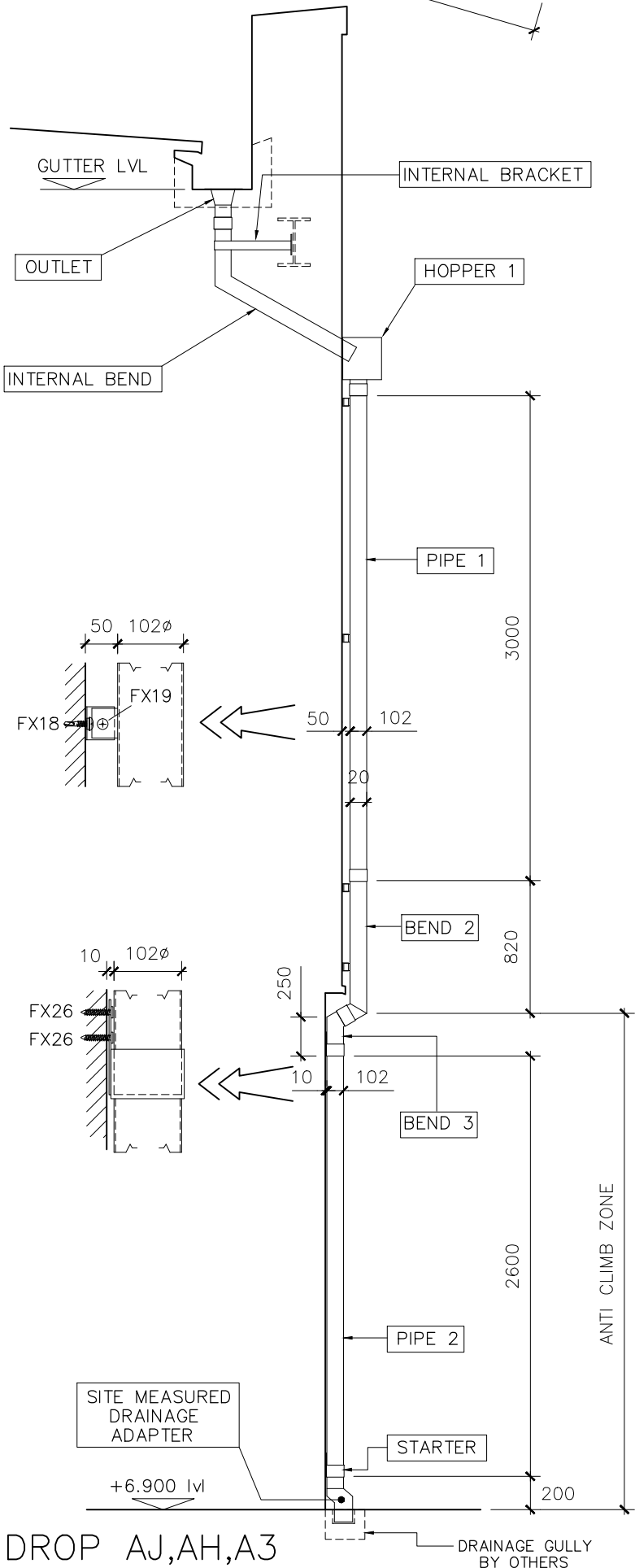


PIPE 2

ALUMINIUM  
PPC  
RAL 7011  
IRON GREY



STARTER



DROP AJ,AH,A3

REVS	ALL DIMENSIONS IN MILLIMETRES U.N.O	<p><b>MASSEY CLADDING SOLUTIONS LTD.</b> TOTAL ROOF &amp; WALL CLADDING SOLUTIONS TEL: 01275 464372 FAX: 01275 464863</p>	Scale	N.T.S @ A3	Drawing No.	0547-R1		
			Client	BAM	Date	18/04/11	Drawn	SJS
			Architect	SCOTT BROWNRIGG				
			Project	CHILTON TRINITY COLLEGE				
					Zone A	RWP DROP TO G.L AJ,AH & A3		