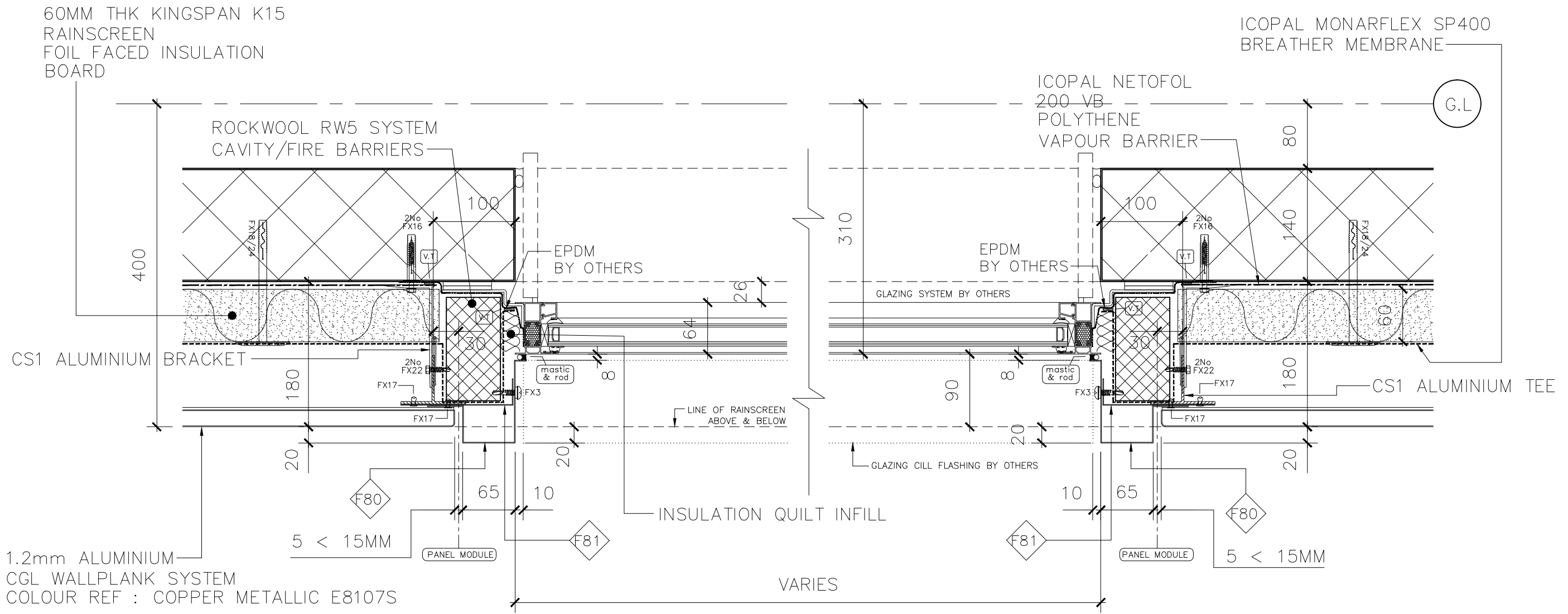


ISO TAPE : ISOLATION TAPE

FIXINGS STITCHED/FIXED AT 450crs U.N.O



60MM THK KINGSPAN K15  
RAINSCREEN  
FOIL FACED INSULATION  
BOARD

ICOPAL MONARFLEX SP400  
BREATHER MEMBRANE

CS1 ALUMINIUM BRACKET

1.2mm ALUMINIUM  
CGL WALLPLANK SYSTEM  
COLOUR REF : COPPER METALLIC E8107S

ICOPAL NETOFOL  
200 VB  
POLYTHENE  
VAPOUR BARRIER

G.L.

INSULATION QUILT INFILL


VARIES

G.G : GUN APPLIED MASTIC

V.T : VCL SEALTENT TAPE

F80 : 1.2mm ALUMINIUM  
JAMB FLASHING  
COLOUR REF :  
COPPER METALLIC E8107S

F81 : 1.2mm ALUMINIUM  
JAMB SUPPORT FLASHING  
COLOUR REF : MILL FINISH

REVS	ALL DIMENSIONS IN MILLIMETRES U.N.O		 <p><b>MASSEY CLADDING SOLUTIONS LTD.</b></p> <p>TOTAL ROOF &amp; WALL CLADDING SOLUTIONS</p> <p>TEL : 01275 464372 FAX : 01275 464863</p>																		
A	DRG UPDATED	15.03.10																			
B	DRG UPDATED	25.03.10																			
<b>CONSTRUCTION ISSUE</b>																					
Client	<b>SKANSKA</b>	Architect	<b>CUBE DESIGN</b>																		
Project	<b>ASHTON PARK SCHOOL BRISTOL</b>		Scale <b>1:5 @ A3</b>																		
Title	<b>RAINSCREEN WALLS TYP GLAZING JAMBS</b>		<table border="1"> <tr> <td>REV</td> <td>A</td> <td>B</td> <td></td> <td></td> <td></td> </tr> <tr> <td>Date</td> <td colspan="2"><b>01/01/10</b></td> <td colspan="3">Drawing No.</td> </tr> <tr> <td>Drawn</td> <td colspan="2"><i>S.J. Small</i></td> <td colspan="3"><b>0524-125</b></td> </tr> </table>	REV	A	B				Date	<b>01/01/10</b>		Drawing No.			Drawn	<i>S.J. Small</i>		<b>0524-125</b>		
REV	A	B																			
Date	<b>01/01/10</b>		Drawing No.																		
Drawn	<i>S.J. Small</i>		<b>0524-125</b>																		